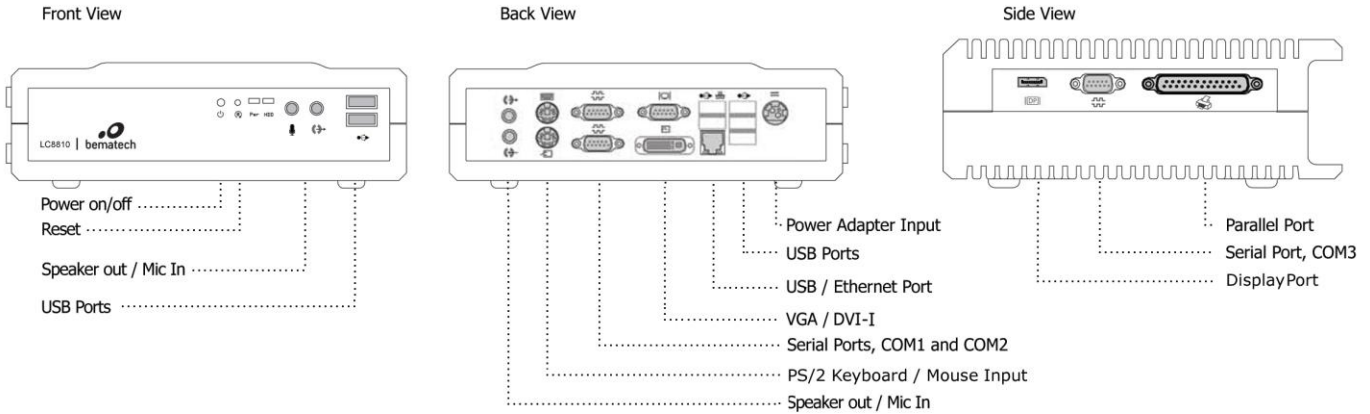




# LC8810 SERIES RETAIL HARDENED COMPUTER SPECIFICATIONS



## SYSTEM

CPU	Intel Baytrail-D J1900 2GHz Quad Core processor with 2MB L2 Cache
System Memory	Up to 8GB, DDR3L SODIMM x1
Mass Storage	Internal SATA HDD, SATA SSD, or mSATA SSD

## POWER SUPPLY

Single power input	12VDC
Power adapter input	100 to 240VAC, 1.5A max 50/60Hz
Power adapter output	12VDC 5A

## MECHANICAL

Weight	4.9 lbs
Dimension (WxDxH)	8.15" x 6.93" x 2.44" (207mm x 176mm x 62mm)
Housing	Die cast

## I/O PORTS

Video	1920x1080 pixels max VGA, DVI-I and DisplayPort
Network Interface	10/100/1000 Mbits Ethernet Network boot capable
Keyboard/Mouse	PS/2 mini-DIN6 connectors
USB Ports	USB 2.0 ports x6, USB 3.0 port x1
Serial Port	DB9 x3 (COM1 to COM3) Optional +5V/+12V power at pin 9
Parallel Port	DB25 x1 (LPT1)
Audio	Mic in x2 and Speaker out x2 with 2W power amplifier
Expansion Slot	Mini PCIe socket (support WiFi card)

## ENVIRONMENT

Operating temperature	0°C to 40°C
Relative humidity	5% to 90%, non-condensing
Storage temperature	0°C to 60°C
Relative humidity	5% to 80%, non-condensing

# Legacy Technology Services

**We Rent & Sell All Types Of Barcode Equipment**

Call now to talk to an expert

**866-271-9891**

[www.LegacyGlobal.com](http://www.LegacyGlobal.com)

Some brands we carry



MOTOROLA

**Intermec**

**DATALOGIC™**

**Honeywell**

**EQUINOX**  
PAYMENTS



## About us

- Legacy Technology Services is a leading nationwide provider of mobile computing, barcode, printers and point of sale equipment and services.
- For over a decade, thousands of clients across North America have trusted us to provide equipment from leading manufacturers backed by the services to support them.

## Latest Hardware from top manufacturers

- Legacy handles virtually every major manufacturer of mobile computing, barcoding and point of sale equipment.

## Expert Repair and Maintenance services

- Legacy is one of the best repair facilities in North America

## Discontinued product sourcing

- They don't make it anymore? Our inventory also includes manufacturer close-outs and discontinued equipment to support our clients legacy infrastructure.

## Trade-in and Disposal services

- That old equipment laying around your facility may still have some value. Legacy routinely purchases equipment from our clients around the globe.
  - Data destruction
  - Hardware disposal
  - Auditing services

## Dedicated client account team

- Dedicated, highly trained account managers are here to answer all your questions and provide top notch service.

## Equipment rental services

- Sometimes renting is a better solution, Legacy's huge rental inventory provides the equipment you need for temporary needs and projects.



[Legacy, Inc.](http://Legacy, Inc.)

160 West Road,  
Ellington, CT 06029

Toll Free: 866-271-9891

Fax: 888-522-4684